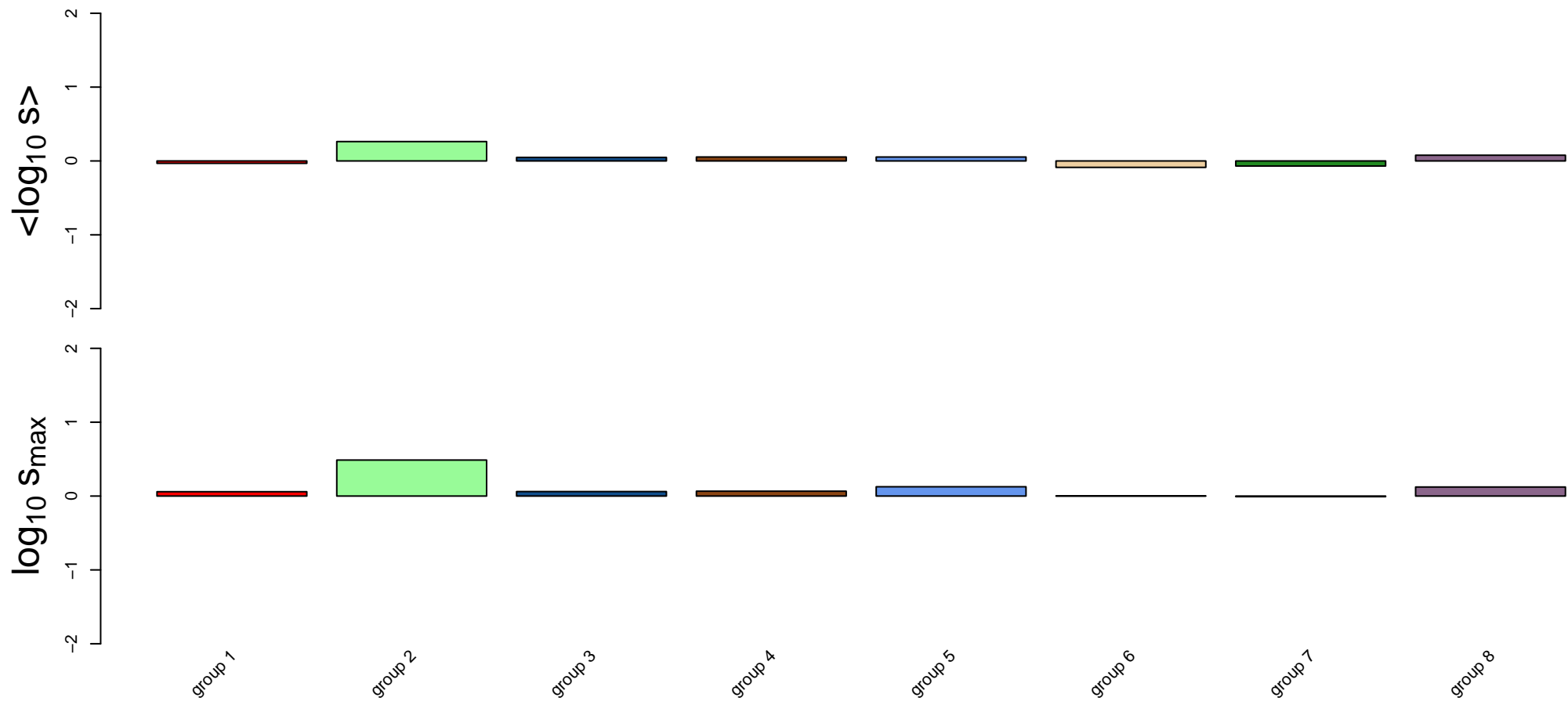
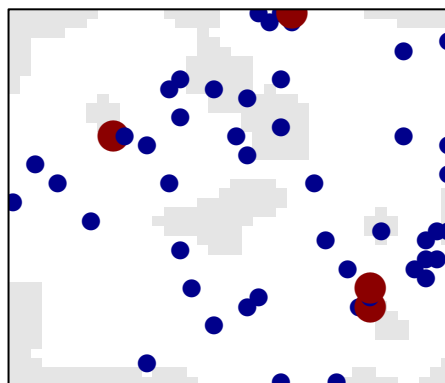
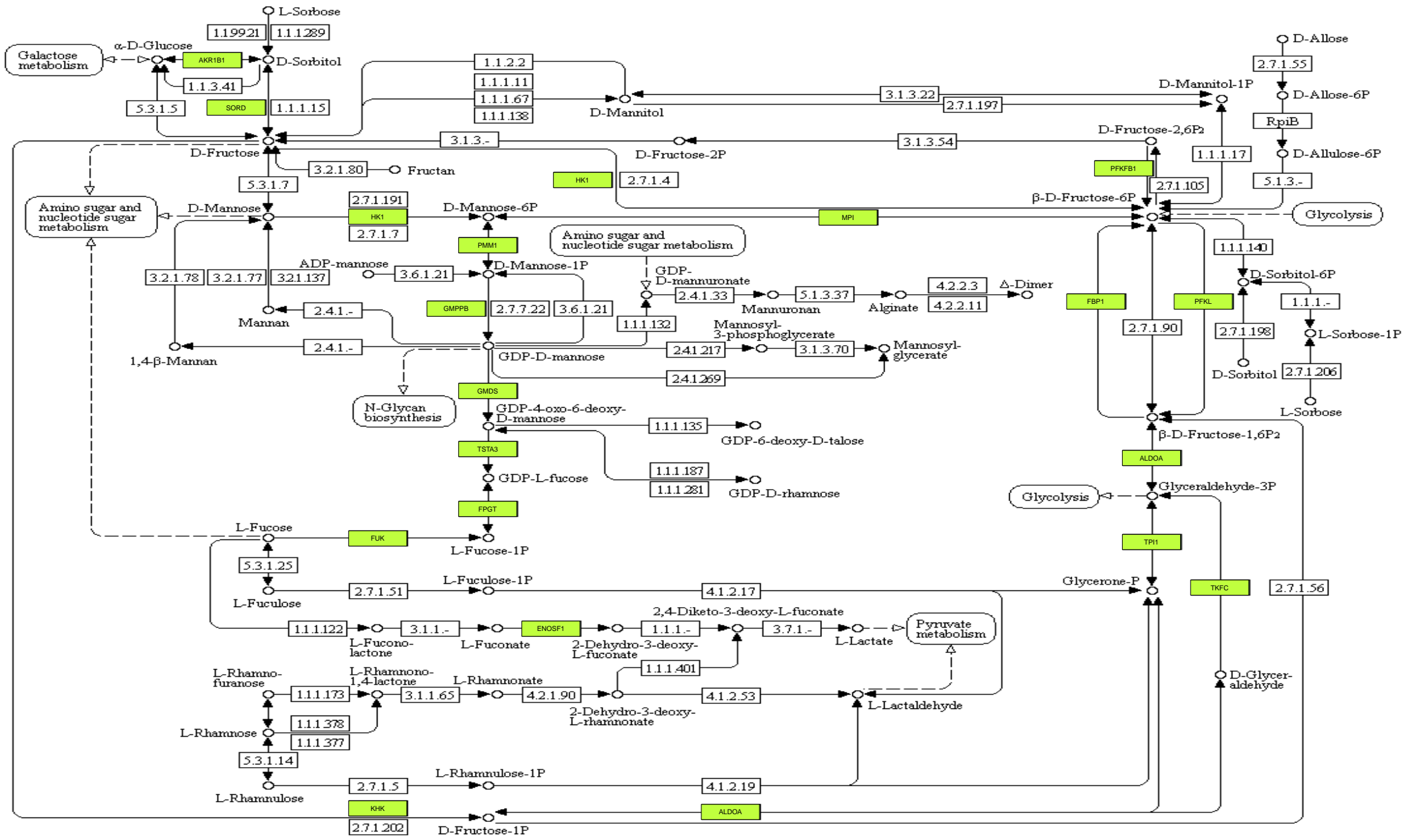


Fructose and mannose metabolism

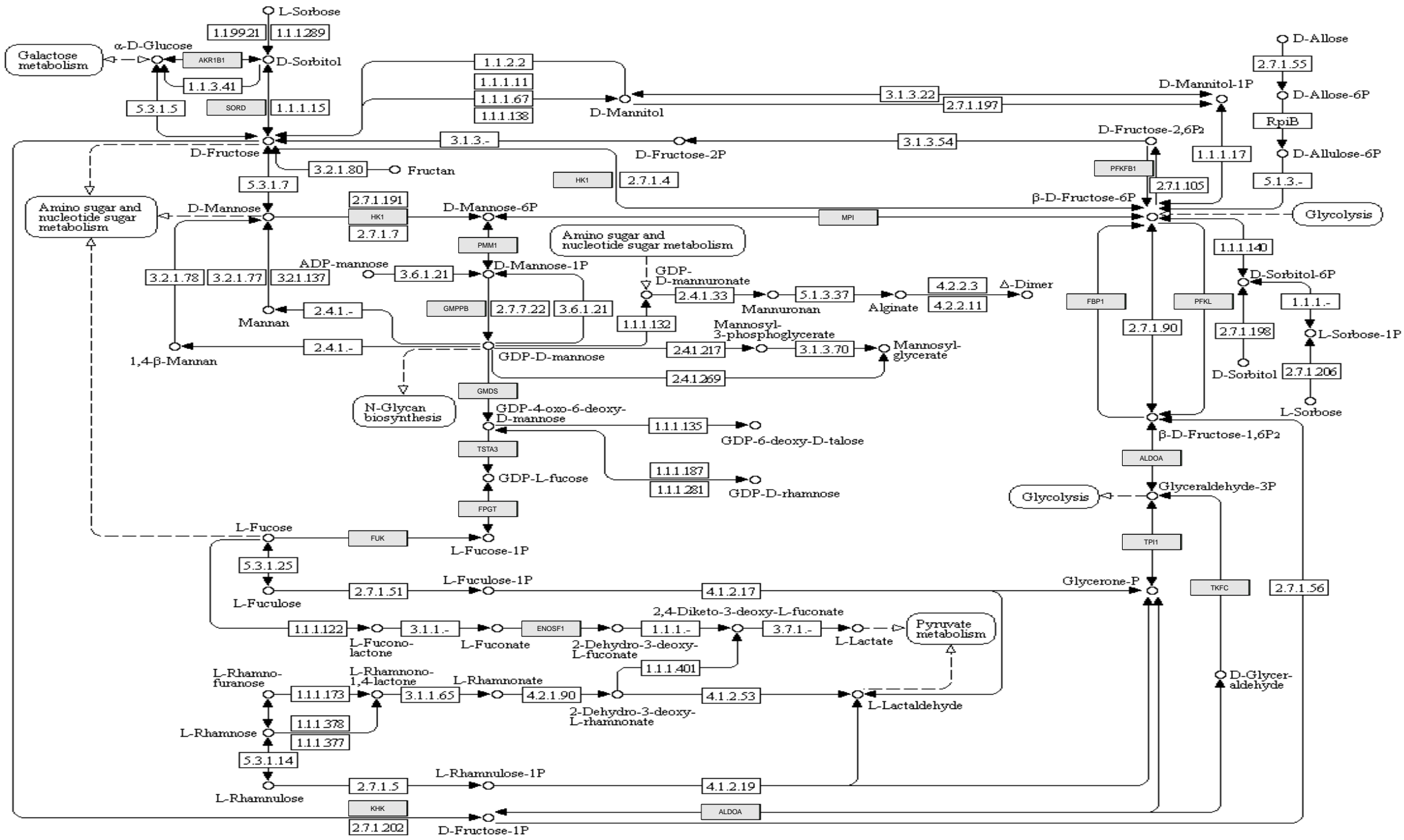
all genes



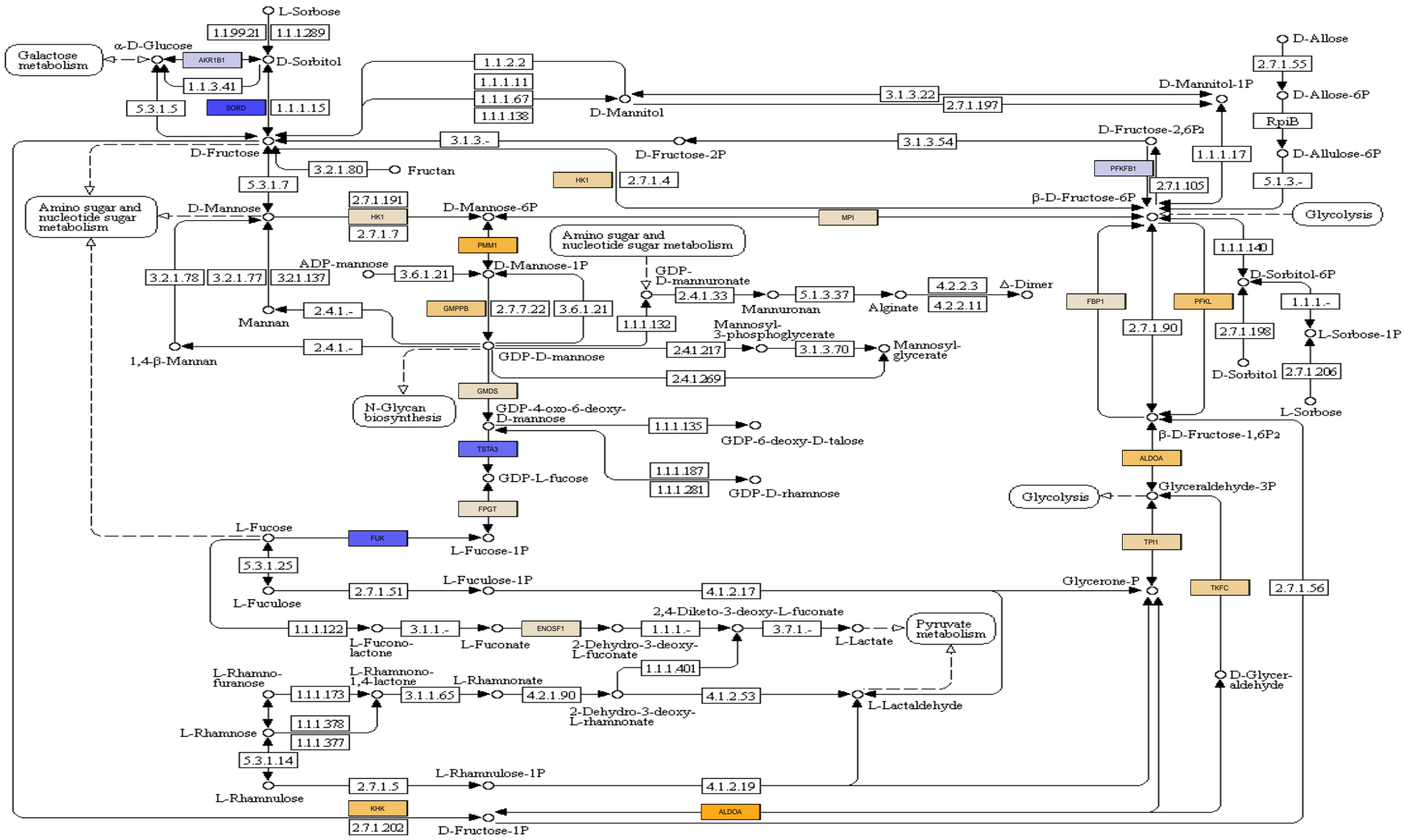
Fructose_and_mannose metabolism
genes with data



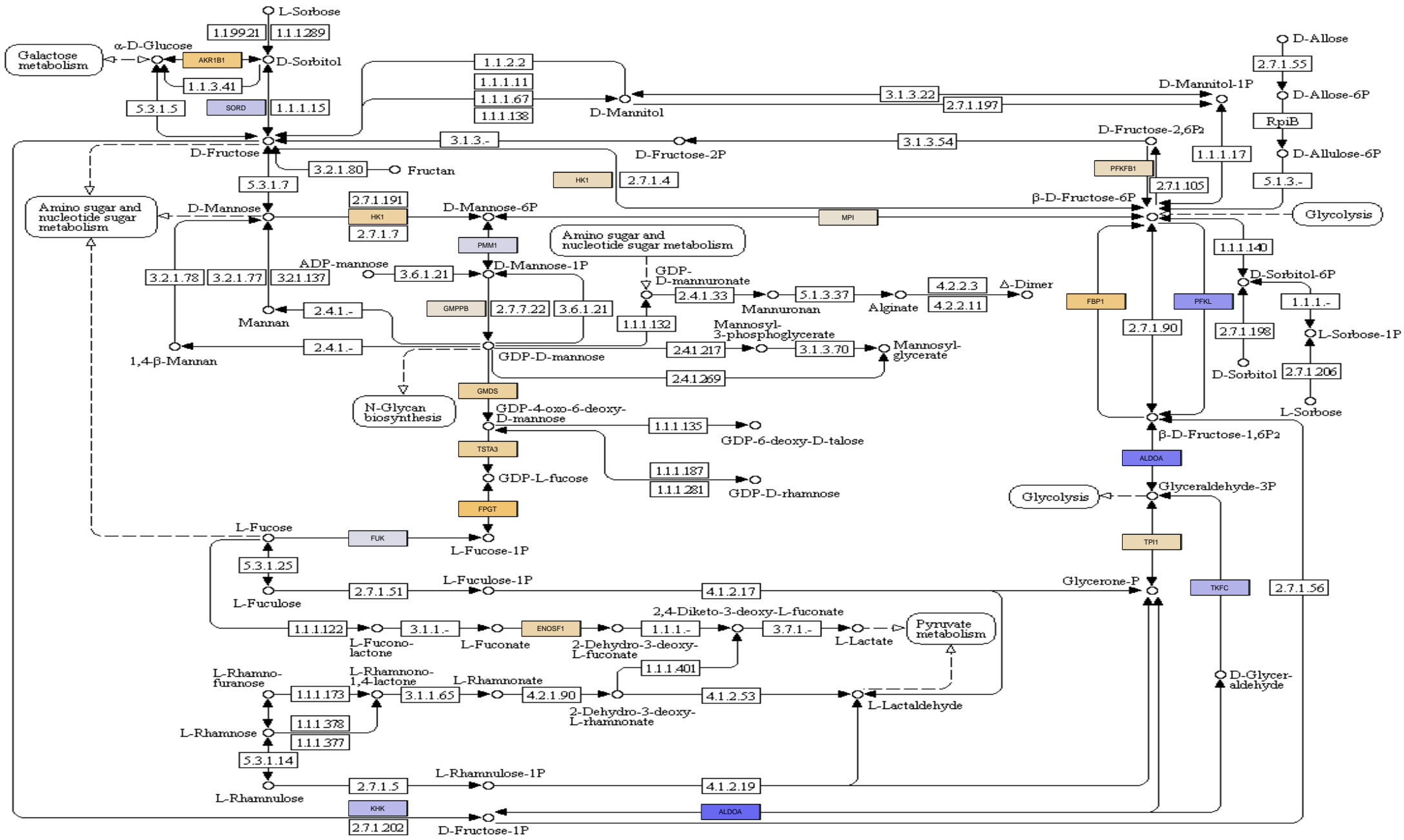
Fructose_and_mannose_metabolism
sink nodes



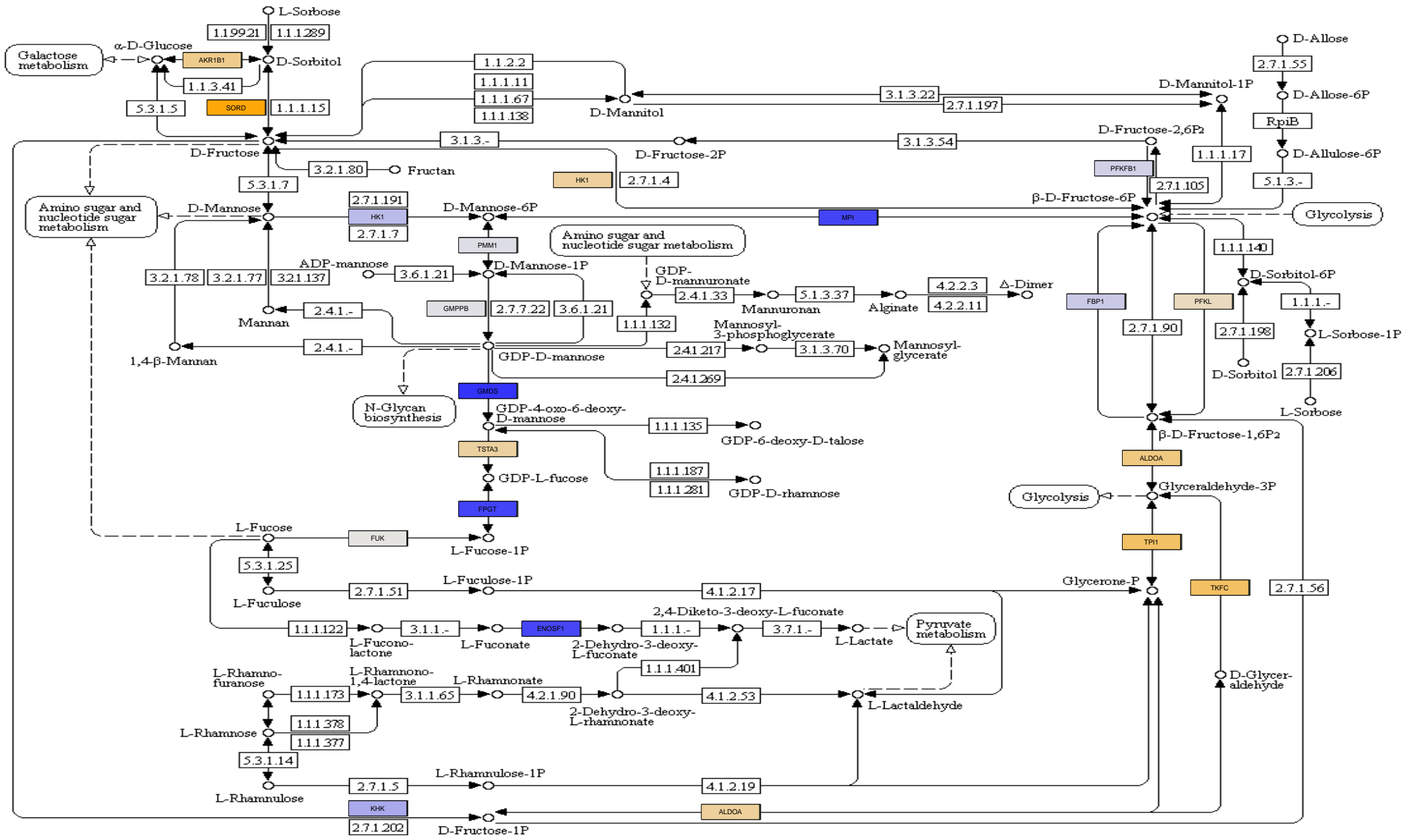
Fructose_and_mannose_metabolism
group 3



Fructose_and_mannose_metabolism
group 4



Fructose_and_mannose_metabolism
group 6



Fructose_and_mannose_metabolism
group 7

